

... SVAEGEN
...
... GIRO
... GIRO
... 13677 COMTRANS
PHONE: (46) 40 - 91 26 85



NRD-515
OPTION 1+2
INSTRUCTION MANUAL

List of contents

Installation and adjustment procedures	page 1+2
User's manual	page 3+4
Option 1, circuit diagram, dwg 004-PCB-300-A-8409	page 5
option 1, component location, dwg 002-PCB-300-A-8409	page 6
Option 2, circuit diagram, dwg 004-PCB-301-A-8409	page 7
Option 2, component location, dwg 002-PCB-301-A-8409	page 8
Option 1+2, mechanical installation, dwg 003-NRD-001-A-8409	page 9
Option 2, electrical installation, dwg 003-PCB-301-A-8409	page 10
Option 2, electrical installation, dwg 003-NRD-002-A-8409	page 11
Option 2, wiring diagram, dwg 003-NRD-003-A-8409	page 12

INSTALLATION AND ADJUSTMENT PROCEDURES

Note: Info
on page 2

Note: Info
on Page 2

- 1) Remove the top cover of the NRD-515.
- 2) With the front panel facing you, drill two holes on the right side of the NRD-515 frame, as indicated on drawing **003-NRD-002-A-8409** (page 9).
- 3) **Remove** the following components from the main circuit board: **TR22, C280, C281, C282, C283, C284, L123** by cutting the leads by means of a cutter.

003-PCB-301-A-8409 (page 10).
- 4) Install option 1 (plug-in unit) as indicated on drawing **003-PCB-301-A-8409** (page 10).
- 5) Install option 2 as indicated on drawing **003-NRD-001-A-8409** (page 9).
- 6) By means of a lowpower soldering iron, solder the wires and coax cables from option 2 to the main print, the VFO and monitor switch, as indicated on drawing **003-PCB-301-A-8409** (page 10).
- 7) Mount the top cover of the NRD-515, without screws.
- 8) Remove the bottom cover of the NRD-515 and solder the coaxial cables E and F, as indicated on drawing **003-NRD-002-A-8409** (page 11).
- 9) This completes the installation of the 2 options.
- 10) Mount the bottom cover of the NRD-515.

ADJUSTMENT PROCEDURE (option 2)

Note: Info
on Page 2

- 1) Remove the top cover of the NRD-515 and switch the power on.

With the bandwidth switch on AUX; tune the receiver around 00.0 kHz, until you get the highest S-meter reading (between S9 + 40 dB to S9 + 60 dB).

- a) Adjust L3 on max S-meter reading.
- b) Adjust L9 on max S-meter reading.
- 2) This completes the adjustment of the 2 options.
- 3) Mount the top cover.

Info.
adjustment

Instead of adjusting the receiver as explained in 1) you may choose a well known station with stable "S" readings and adjust for max S-meter reading.

Info.
drilling

With each option No2 we supply the mounting hardware. The Option No2 may be installed using the screwholes on the main-board.(right side)

Info.
removal

In case you want to save the components that have to be removed we advise you to unsolder them.

General comment:

The installation of the Option No2 requires no technical radio skills. However, we believe the installer should have some basic soldering skills.

U S E R ' S M A N U A L

The option 1 + 2 from ESKA ELEKTRONIK A/S greatly improves the selectivity and signal-to-noise ratio of your NRD-515 - providing - at the same time - a superb PLL-ECSS reception.

Selectivities

The combination of option 1 + 2 provides you with the following selectivities:

Monitor switch on

6/60 dB shape factor 1/1.7

Bandwidth (kHz)

Pos 1: 300 Hz
Pos 2: 1.4 kHz
Pos 3: 2.1 kHz
Pos 4: 4.5 kHz

Monitor switch off

6/60 dB shape factor 1/2.5

Bandwidth (kHz)

Pos 1: 500 Hz
Pos 2: 1.6 kHz
Pos 3: 2.4 kHz
Pos 4: 6 kHz

The P L A M tuning procedure

P L A M means Phase-locked AM.

The option 2 incorporates a PLAM detector to be used when the received broadcasting station suffers from selective fading.

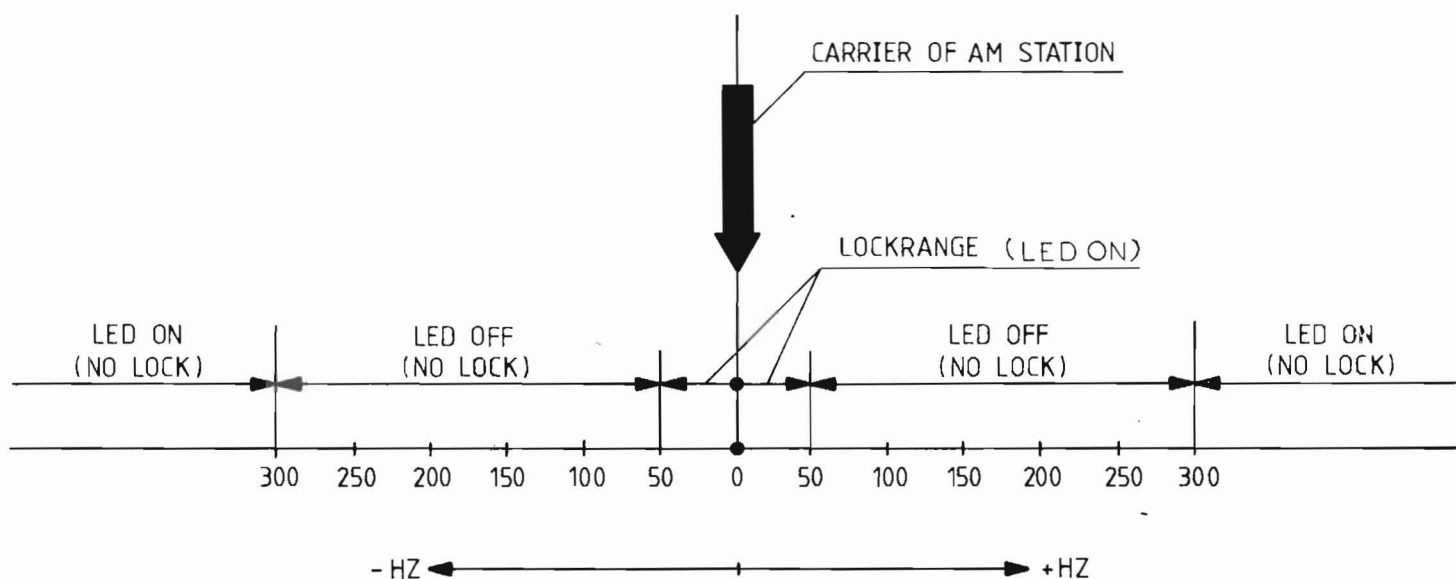
In order to tune in a station in the PLAM mode, proceed very carefully as follows:

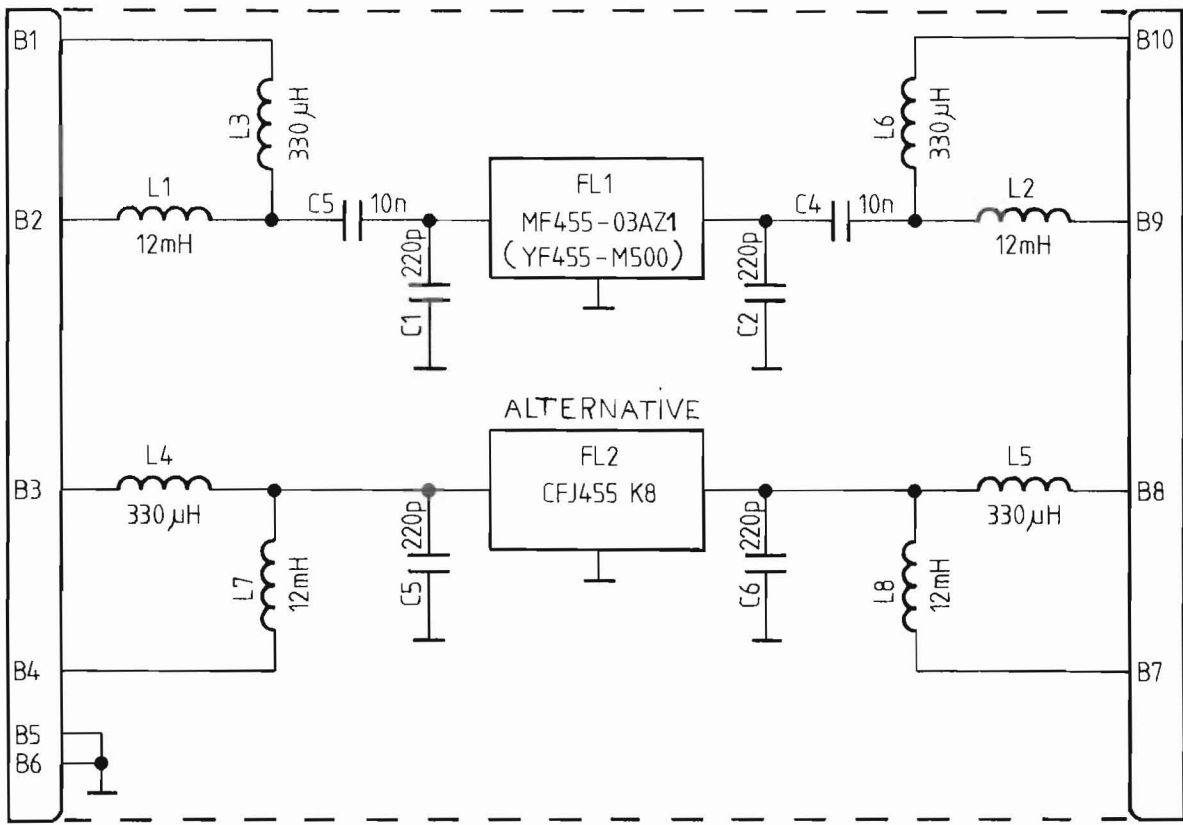
- a) Switch ΔF in on position.
- b) Mode switch on LSB or USB depending on interference.
- c) Select 6 kHz, or 2.4 kHz bandwidth, depending on interference, the monitor switch can either be ON or OFF, also depending on the interference level.
- d) Tune in carefully the desired frequency and adjust very slowly the ΔF control **until the PLAM LED (external VFO) lights up.**

Please note that the LED (external VFO) always will light up if the carrier is not present or if you are too far away from the center frequency.

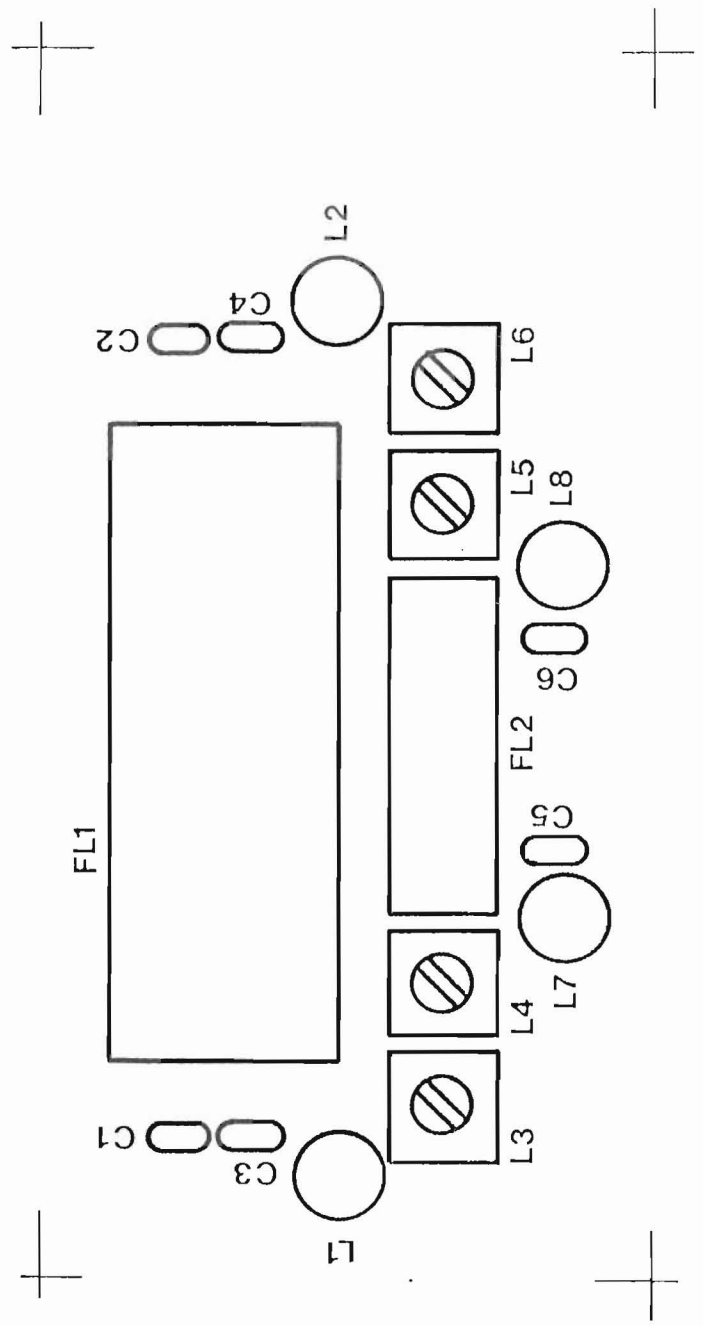
- e) Slowly turn the PBT control in order to obtain the best reception with the highest intelligibility.
- f) In case you reverse sideband, please repeat the procedure as indicated under step d and e.

Following fig. explains how the PLAM works.



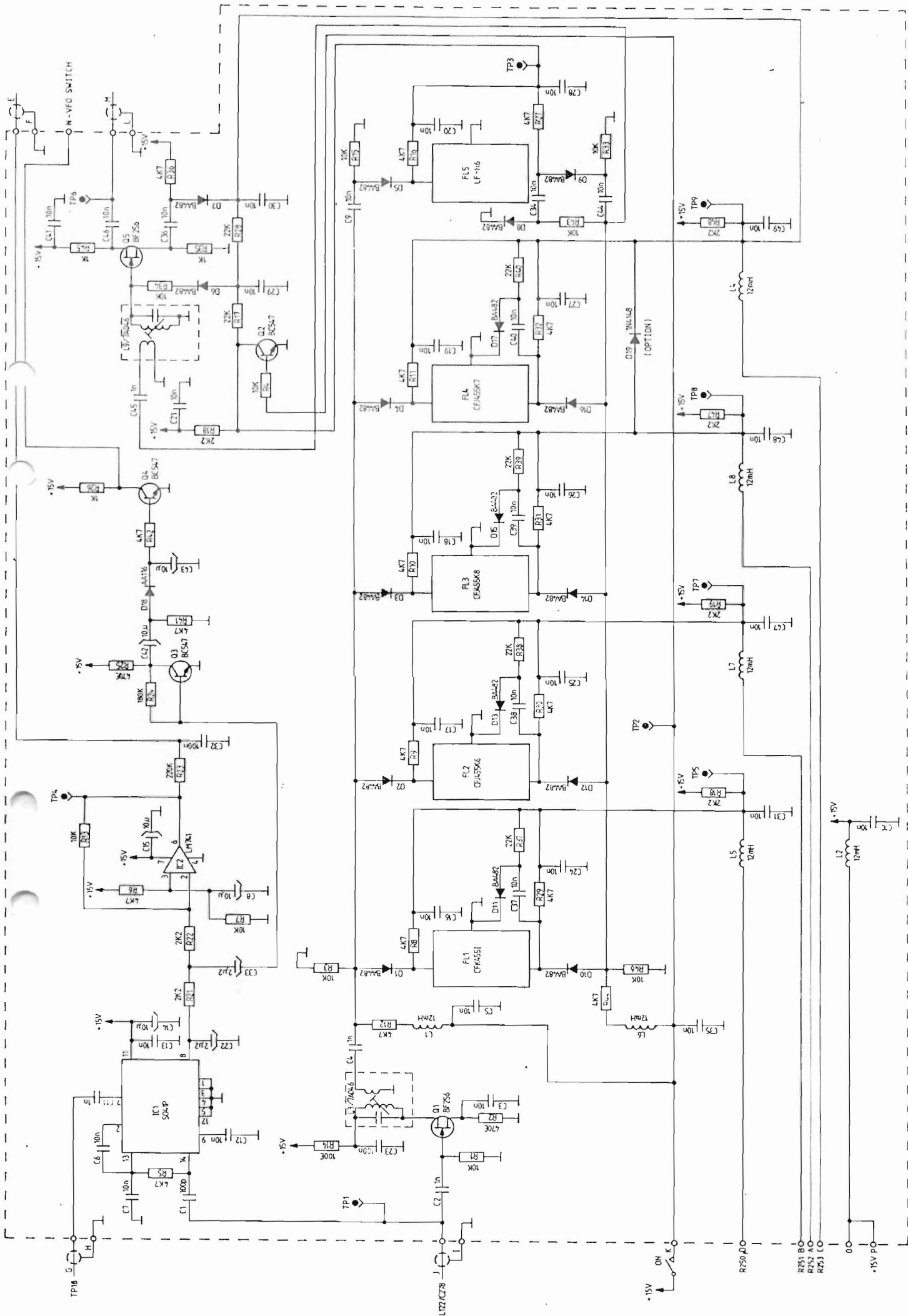


A/S ESKA ELEKTRONIK NRD-515 OPTION 1	004-PCB-300-A-8409
---	--------------------



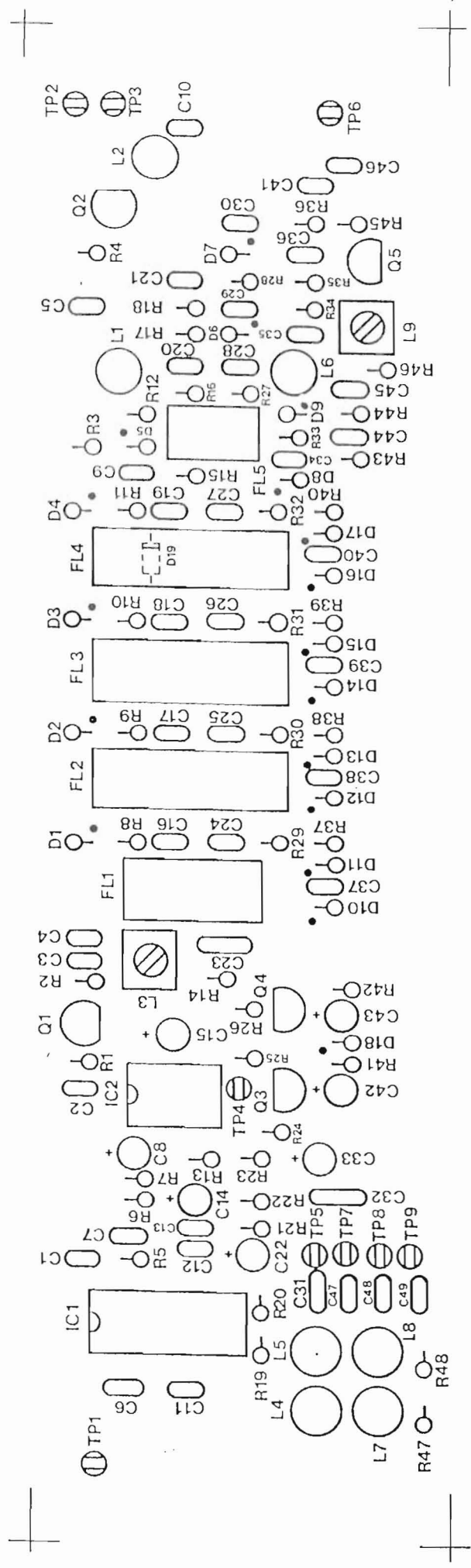
A/S ESKA ELEKTRONIK
 NRD - 515 OPTION 1

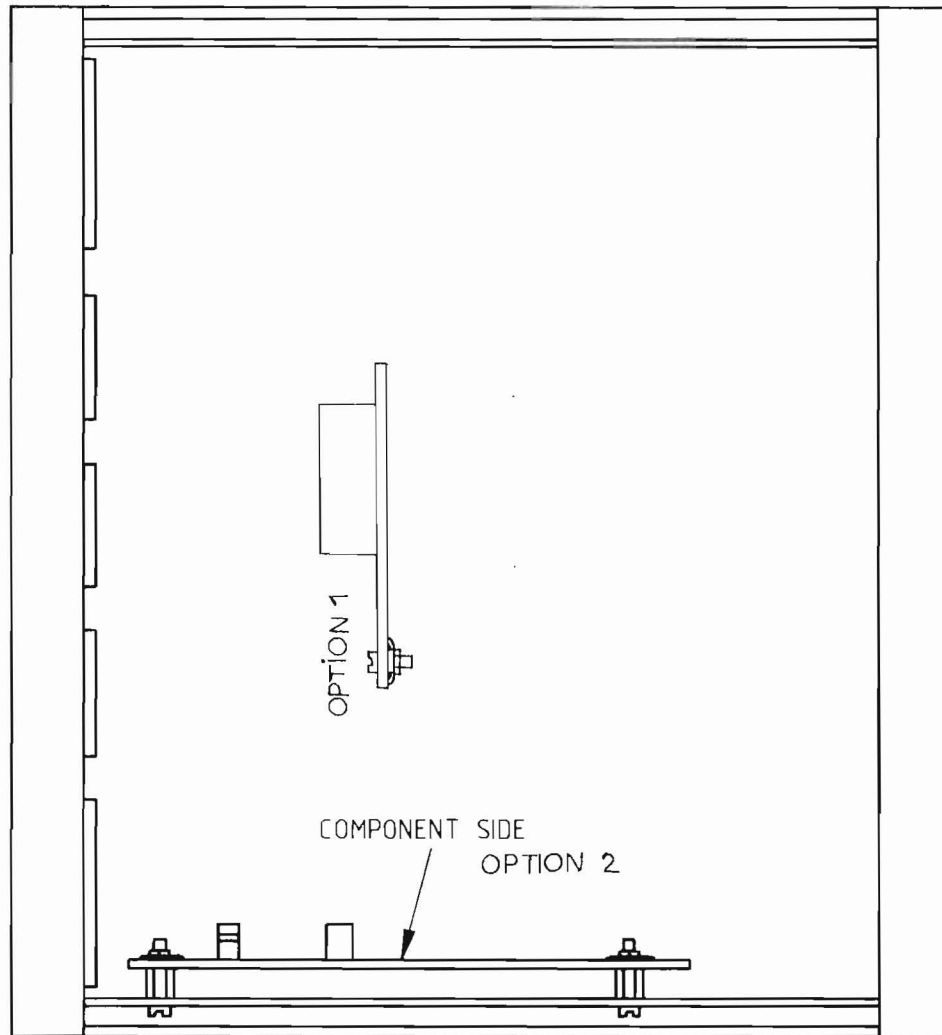
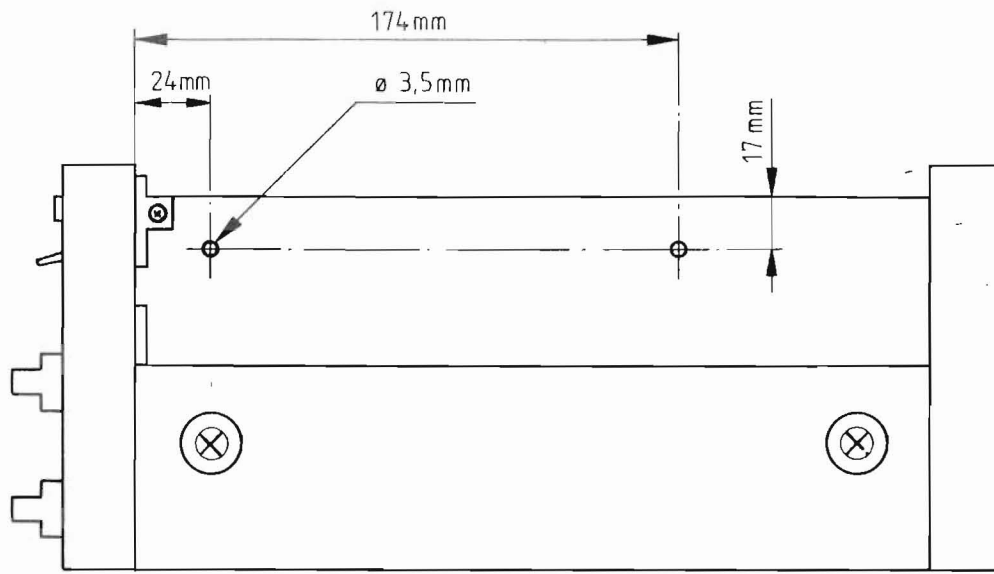
002 - PCB - 300 - A - 8409



ESKA
NRD-515 OPTION 2

004-PCB-301-A-04-09



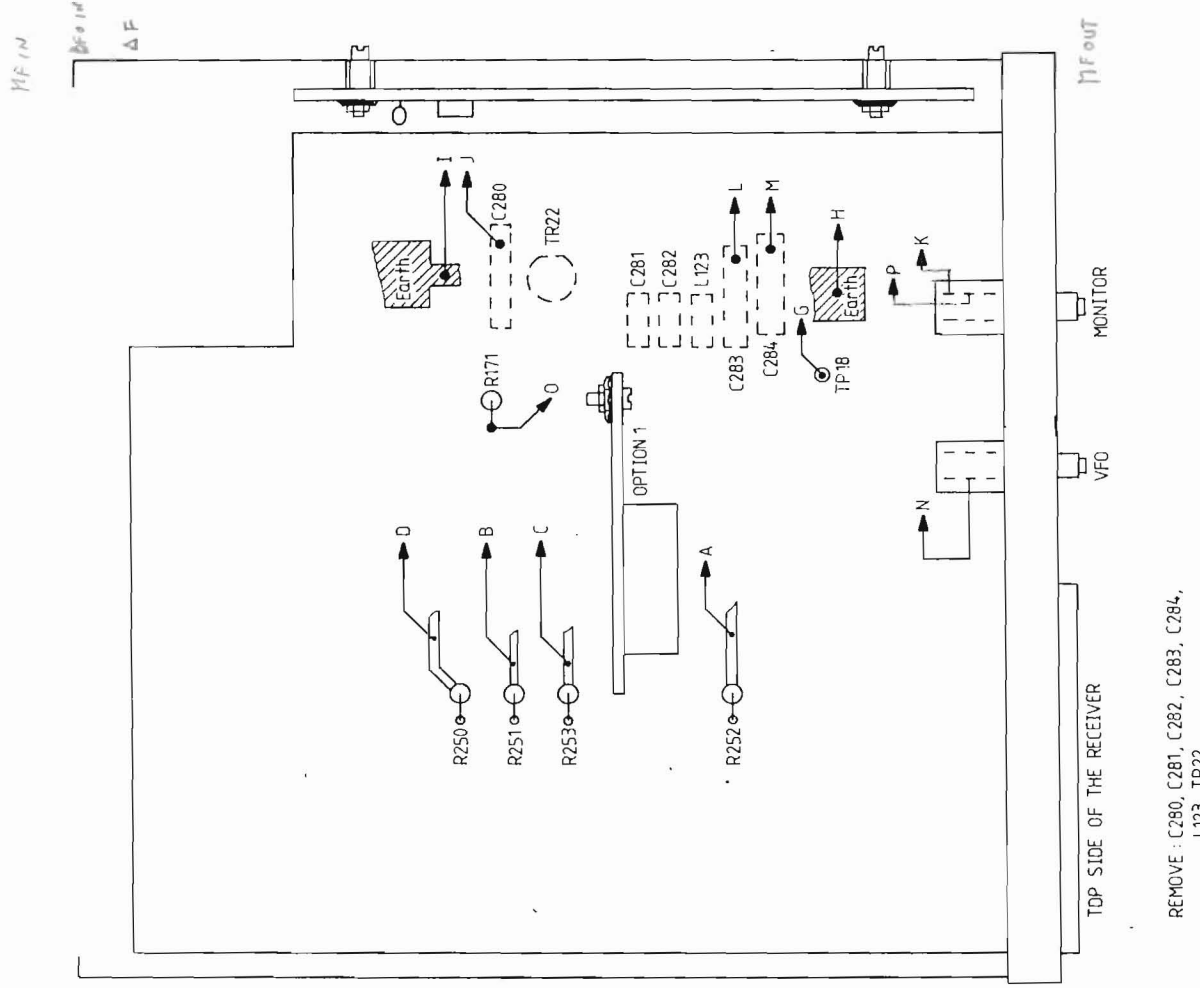
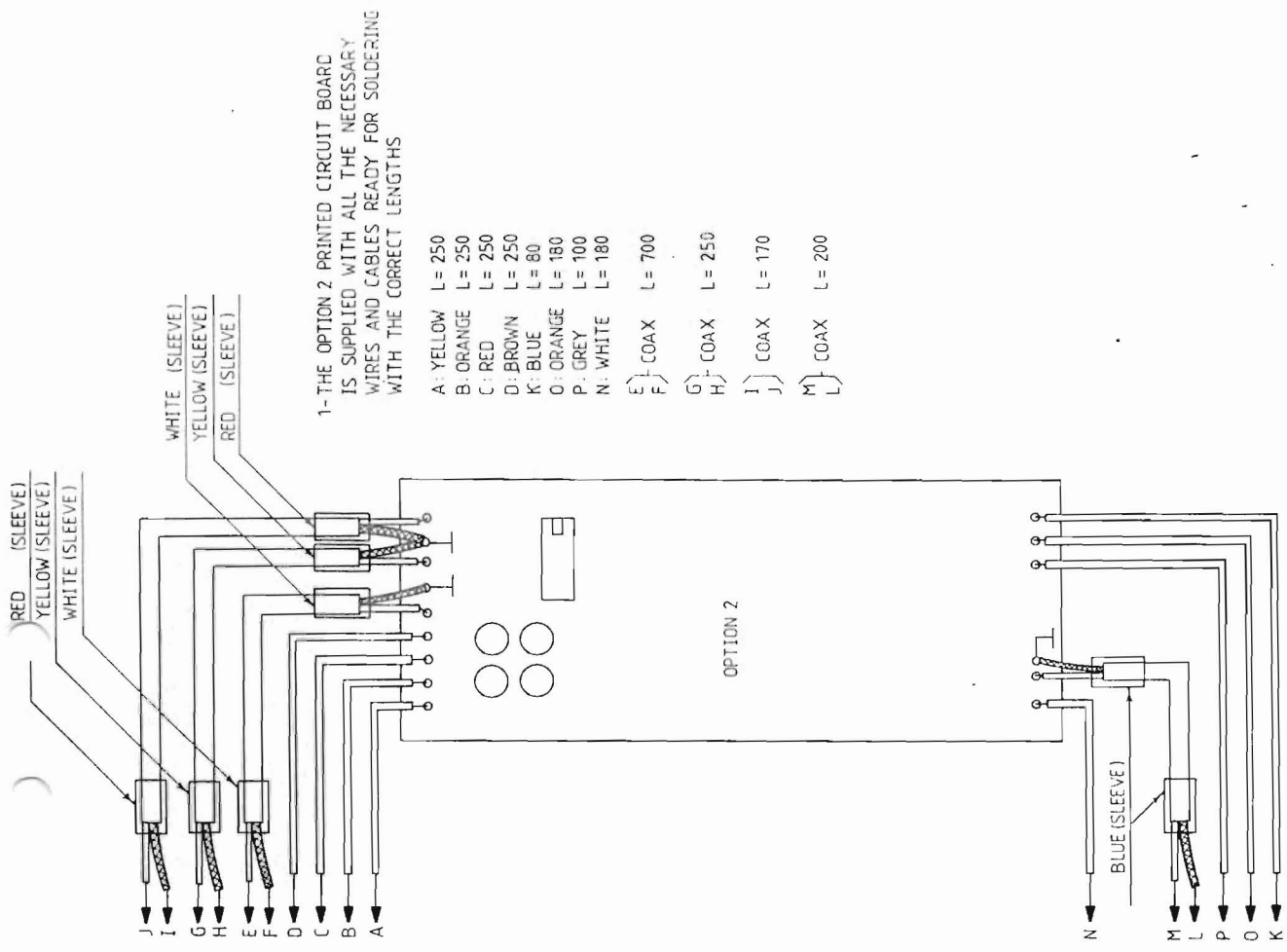


RIGHT SIDE OF THE RECEIVER
WITH THE FRONT PANEL FACING YOU

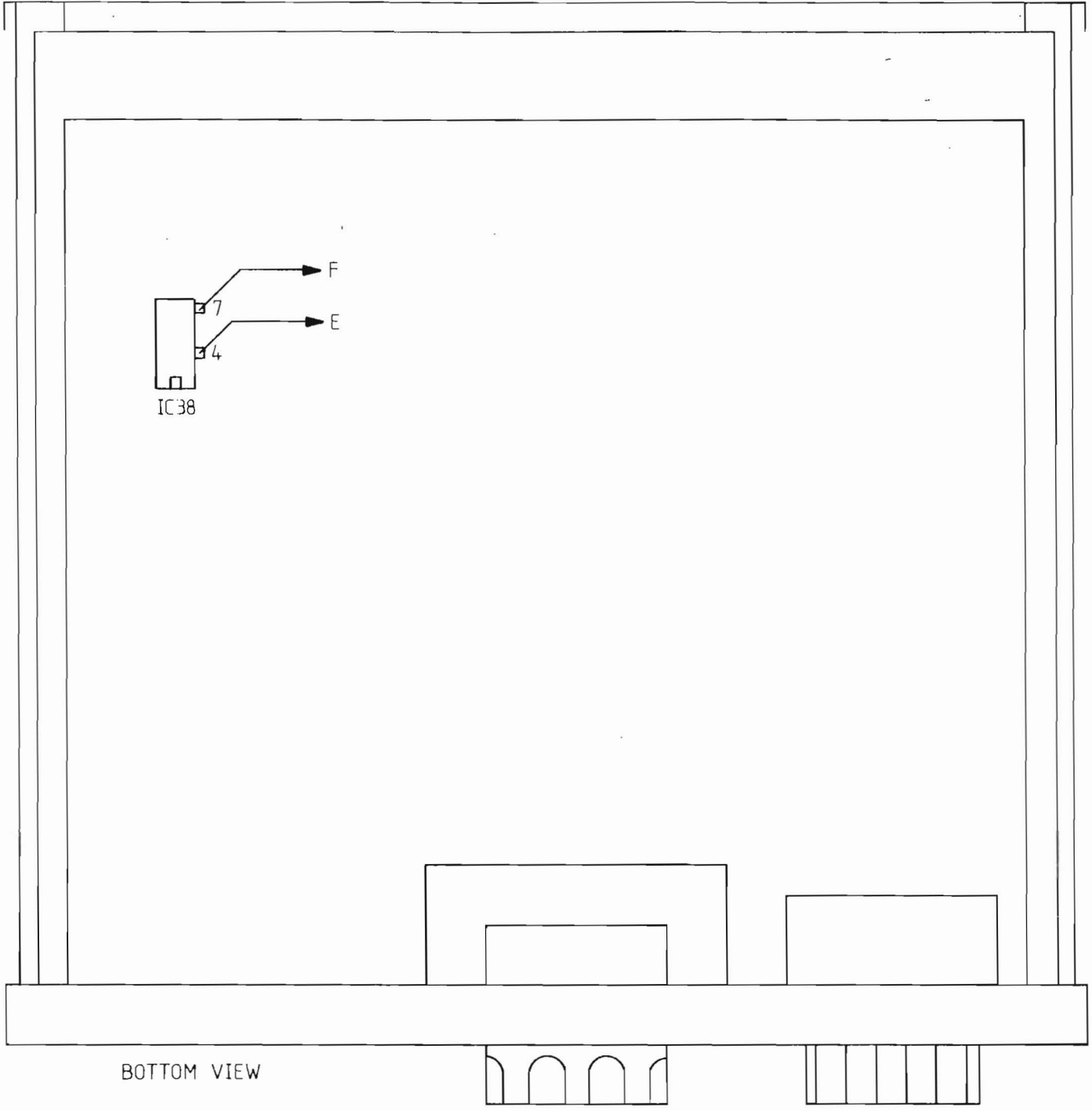
A/S ESKA ELEKTRONIK NRD - 515	003-NRD-001-A-8409
----------------------------------	--------------------

ESKA ELEKTRONIK
NRD-515

003-PCB-301-A-8409



REMOVE: C280, C281, C282, C283, C284,
L123, TR22.



BOTTOM VIEW

ESKA ELEKTRONIK NRD-515	003-NRD-002-A-8409
----------------------------	--------------------

003-NRD-003-A-8409

ESKA ELEKTRONIK

NRD-515

